

STARMUX

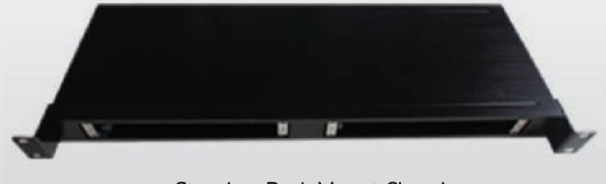
Starview CWDM Mux/Demux



STARMUX Indoor



Starview Mux/Demux Module



Starview Rack Mount Chassis

Features

- Increase bandwidth on existing fiber infrastructure
- Alleviate fiber exhaustion
- Transmit multiple protocols over an existing duplex fiber link by combining the fiber outputs of multiple media converters
- "Plug and play," no configuration of CWDM components
- Provide scalable bandwidth of up to 10Gbps per channel over existing fiber links
- Use existing standard optical ports on switches and routers

Applications

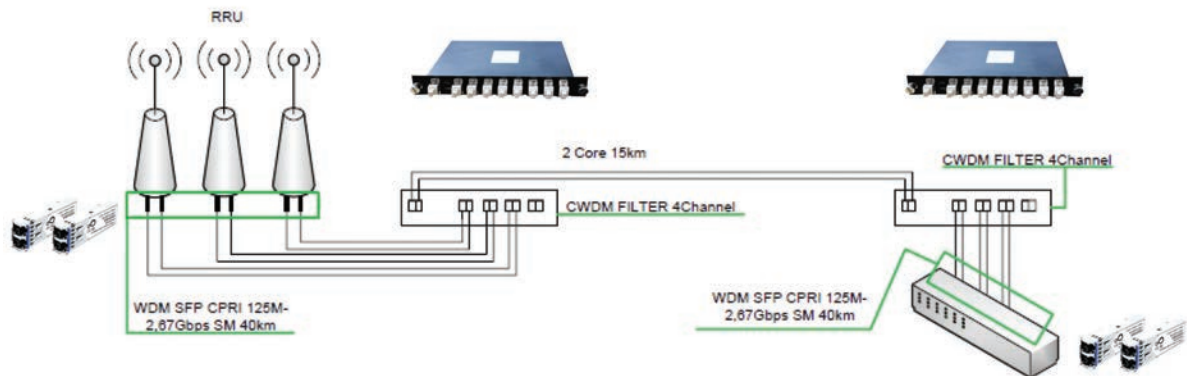
- Line Monitoring
- WDM Network
- Fiber Optical amplifiers

STARMUX is a passive technology that allows for any protocol to be transported over the link, as long as it is at a specific wavelength (i.e. T1 over fiber at 1570nm transported alongside 10Gbps Ethernet at 1590nm). Because the multiplexers simply refract light at any network speed, regardless of the protocol being deployed, STARMUX can help to future proof the networking infrastructure.

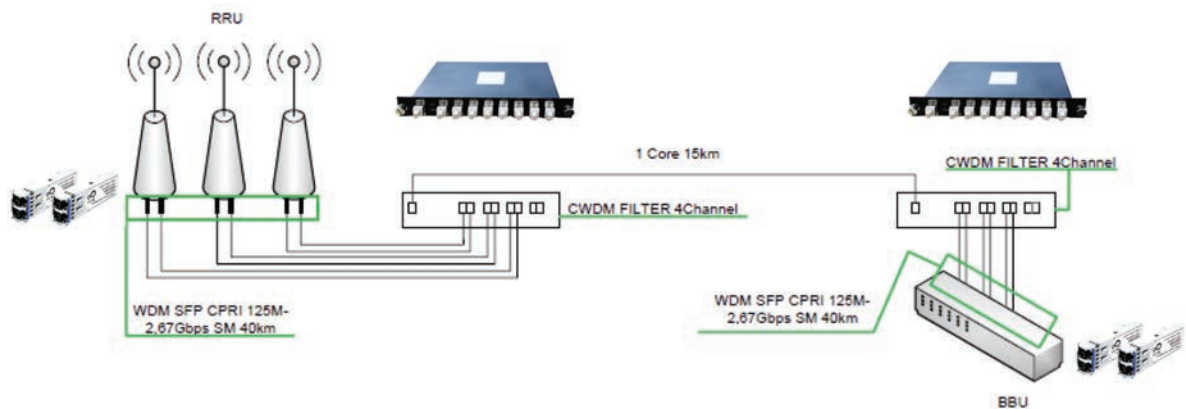
Specifications

Parameters	4 Channel	5 Channel	8 / 9 Channel	16 / 18 Channel
Operating Wavelength	1500nm ~ 1620nm	1500nm ~ 1620nm	1270nm ~ 1610nm	1270nm ~ 1610nm
Center Wavelength (λ_c)	1510nm ~ 1610nm	1510nm ~ 1610nm		
Max Insertion Loss	1.7 dB/channel	2.0 dB/channel	2.5 dB	3.5 dB
Channel Uniformity			1.0 dB	1.5 dB
Channel Ripple			0.3 dB	0.3 dB
Isolation Adjacent			>30 dB (Demux)	>30 dB (Demux)
Isolation Non-adjacent			>40 dB (Demux)	>40 dB (Demux)
Insertion Loss Temp. Sensitivity			<0.005 dB/°C	
Wavelength Temp. Shifting			<0.002 nm/°C	
Polarization Dependent Loss			<0.1 dB	
Polarization Mode Dispersion			<0.1 PS	
Directivity			>50 dB	
Return Loss			>45 dB	
Maximum Power Handling			500 mW	
Operating Temperature			-5°C to 75°C	
Storage Temperature			-40°C to 85°C	
Package Dimension		19" case packaging 500mm x 285mm x 85mm		
Weight		Chassis: 1.47KG	Module: 0.45KG	

Applications – CWDM with dual fiber connection



Applications – CWDM with single fiber connection



Ordering Information

Accessory:

SVR-STARMUX-19R

Starview 19" Rack Mountable STARMUX chassis for up to 2 x STARMUX module

SVR-BRACKET-23

Starview L-Bracket - 23" RACK MOUNT EAR KIT for STARMUX and STARTAP chassis

Manufacturer: SVR: Chassis with CWDM (16/18Port)
SV: Mux/ Demux Module

Type: CWDM MUX/DEMUX

Channel Configuration:
827: 8 Ch. 1270 ~ 1410nm
847: 8 Ch. 1470 ~ 1610nm
947: 9 Ch. 1470 ~ 1610nm+1310nm
1627: 16 Ch. 1270 ~ 1610nm
-1430nm-1450nm
1827: 18 Ch. 1270 ~ 1610nm

Fiber Type: S: Simplex Type D: Duplex Type

Connectors: LC: LC/PC SC: SC/PC

Example:

SVR-STARMUX-1627-DLC

Starview 19" Rack Mountable STARMUX chassis with 16 x CWDM wavelengths 1270/ 1290/ 1310/ 1330/ 1350/ 1370/ 1390/ 1410/ 1470/ 1490/1510/ 1530/ 1550/ 1570/ 1590/ 1610nm and 1 x Duplex LC/U/PC COM port

SV-STARMUX-827-DLC

Starview STARMUX 8 Channel Mux/ Demux Module with CWDM wavelengths 1270/ 1290/ 1310/ 1330/ 1350/ 1370/ 1390/ 1410nm and 1 x Duplex LC/U/PC COM port

