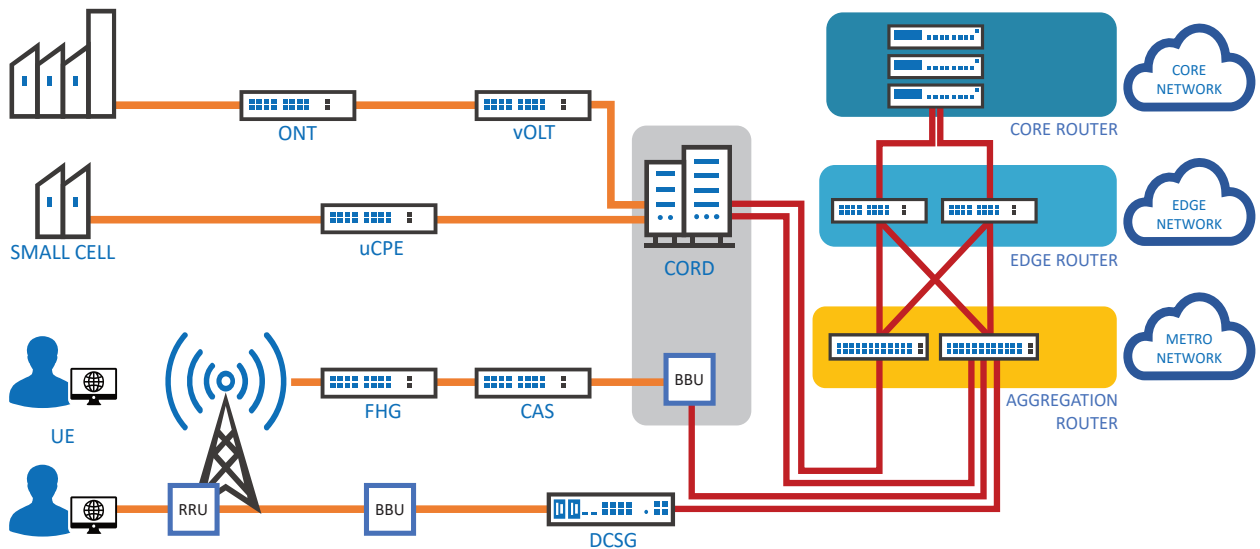
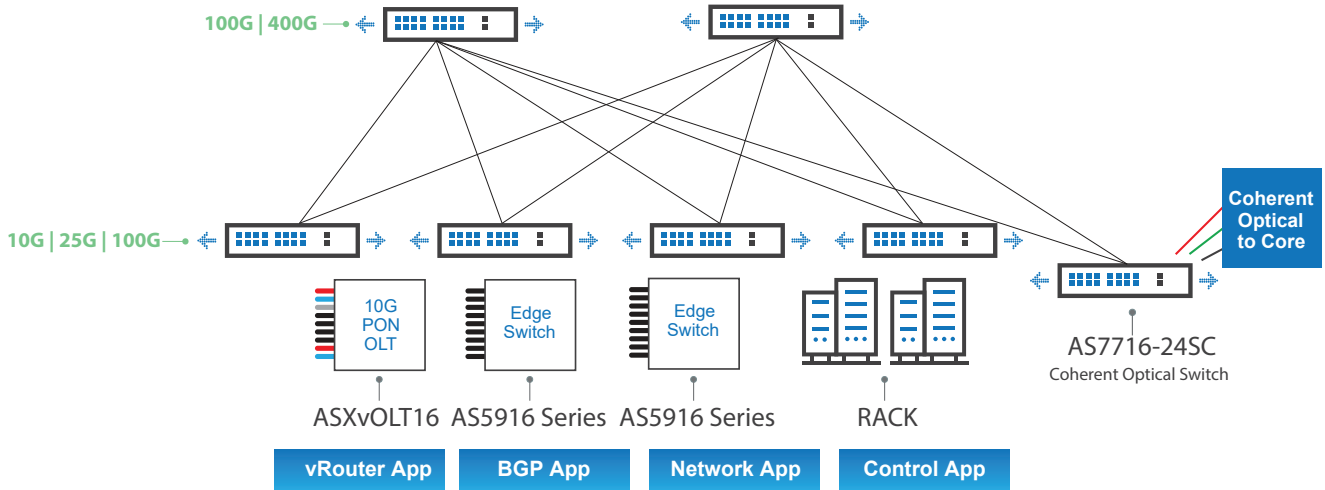


OPEN NETWORKING

E **d** **g** **e** - **c** **o** **r** **e** **E**
NETWORKS



Platinum Level Tiered Membership - Edgecore is OCP Platinum Level Tiered Membership.



Freedom of choice - Edgecore switches support the broadest set of commercial and open source software choices in the industry, providing customers with alternatives to meet their specific requirements.



Greater control - Greater control over the development of enhanced network services, flexibility to work with best-in-class suppliers.



Rapid innovation - Rapid innovation through community and DevOps approach.



Reduced CAPEX and OPEX - Automated and accelerated provisioning of network capacity and services, these open network benefits are now available for many more network use cases, reduced network equipment expenses, and reduced operating expenses.

Open networking solutions are based on open standard, bare-metal hardware with a choice of independent open software for commercial NOS (Network Operating Systems), Open Source Software SDN, virtualization, and cloud orchestration. For years, hyper-scale data center operators have been enjoying the benefits of open networking solutions: reduced network equipment expenses, automated and accelerated provisioning of network capacity and services, greater control over the development of enhanced network services, flexibility to work with best-in-class suppliers, and reduced operating expenses.

These open networking benefits are now available for many more networking use cases. Public and private cloud data centers of all sizes are being deployed with network fabric built from open leaf and spine switches. Edgecore Networks offers choices of hardware to meet open network deployment, from 1G, 10G, 25G and 40G, 100G to 400G.

ENTERPRISE SWITCHES

SWITCHES FOR SMALL/MEDIUM BUSINESS

LAYER 3

L3 switches is designed for enterprise distribution and ISP aggregation to connect the access switch together. High performance hardware based L2 switching and L3 routing for both IPv4 and IPv6 traffic. VRRP were supported for router redundancy. Also, support hardware stacking via 10G SFP+ port and DAC cable, no special stacking module and stacking cable are needed. Multiple switches within the stack can be managed as a single entity with a single IP address, the configuration and firmware can be automatically synchronized.



LAYER 2+ / L3 LITE

Edgecore provides best cost performance L2+/L3 Lite Access/Aggregation switches, helping ISP, MSO worldwide building Fiber to the Building (FTTB), Fiber to the Home (FTTH) infrastructure to provide home users and business users with internet access, IPTV, VoIP, home automation, WiFi hotspot etc services.

Edgecore L2+/L3 Lite Access/Aggregation switches are also ideal for SMB, enterprise, campus networks. The PoE switches provide up to 30W for VoIP phones, Wireless access point, and Surveillance camera. The high power model even supports up to 60W for some PTZ, infrared surveillance camera which required higher power.



INDUSTRIAL SWITCHES

The ECIS4500 series are managed industrial PoE and non-PoE Gigabit Ethernet switches with hardened operating temperature designs. The PoE switches can power any IEEE 802.3af/at-compliant PoE PD devices and include PoE power management features that ease the deployment effort.



WEB-SMART PRO SWITCHES

The Web-Smart Pro series of Gigabit Ethernet (GE) switches with Power over Ethernet (PoE) options is designed for enterprise markets and provides a complete solution from 1G to 10G. As well as IPv4 and IPv6 features, the Web- Smart Pro series supports L3 static routing, QinQ, mDNS and IP Clustering.



WEB-SMART SWITCHES

The Web-Smart series is designed for SMB markets and provides a complete solution with 10/28-ports, including both non- PoE and PoE options. The switches comply with the IEEE 802.3az Energy Efficient Ethernet standard. Support for IPv4 and IPv6. This series offers complete PoE solutions from 70 W to 190 W.

