

Features

- Low back reflection and Low PDL
- High precision attenuation value
- Precision control of attenuation range
- Wide attenuation range
- Precision ceramic ferrule
- FC, SC, ST, LC ... optional
- Plastic or metal housing material

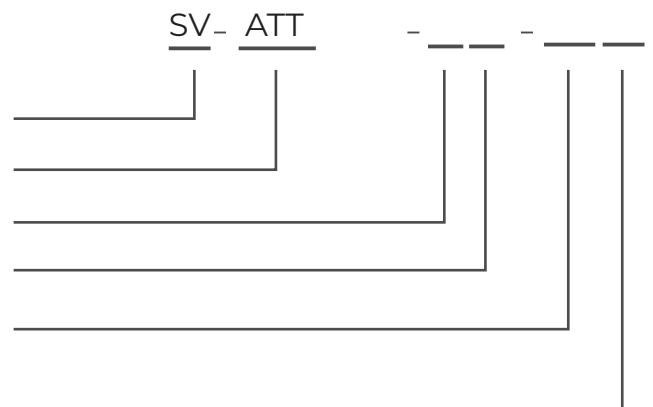
Applications

- Fiber optical telecommunication system
- Fiber optical CATV
- Fiber optical sensor
- Testing equipment

Ordering Information

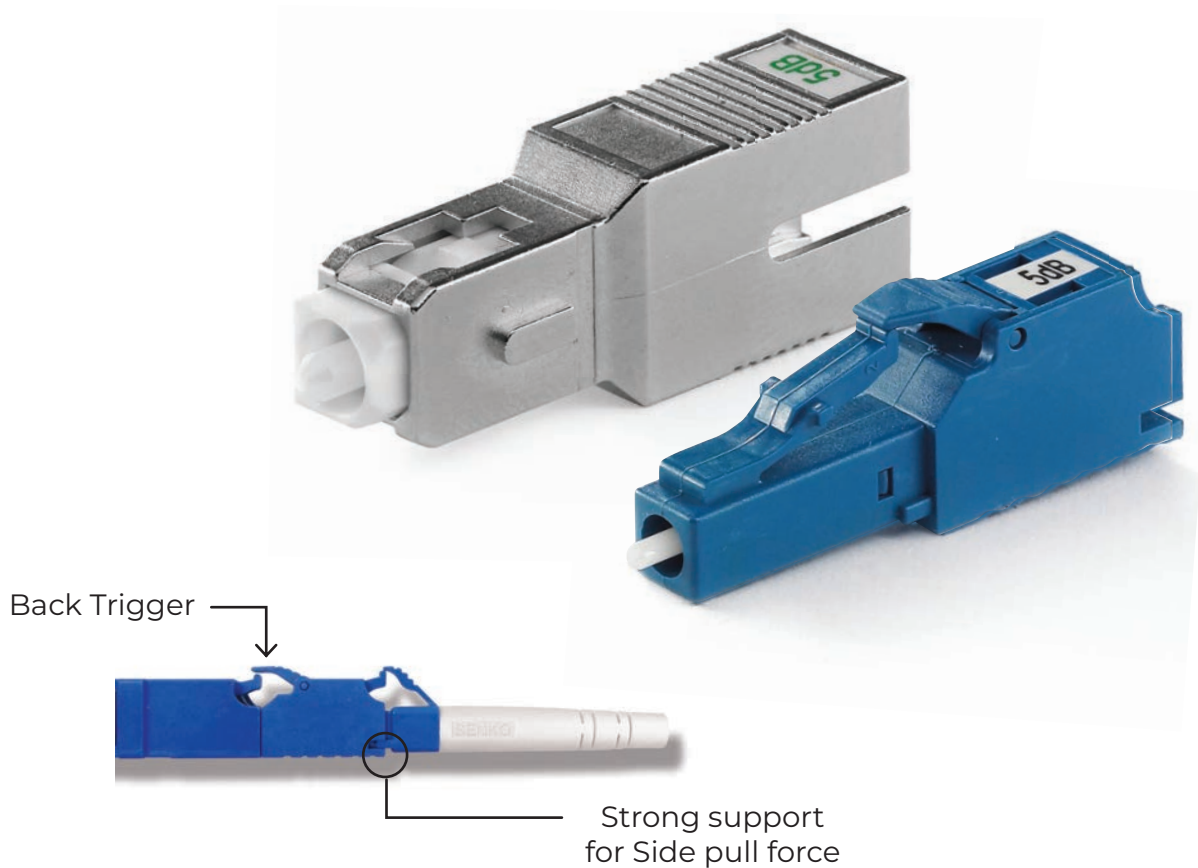
Example:
 SV-ATT-LCU-SM1
 Starview Attenuator with LC/UPC connector, Singlemode type 1dB Attenuation

Manufacturer:	Starview
Type:	Optical attenuator
Connector Type:	SC:SC; FC:FC; ST:ST; LC:LC;
Polishing Grade:	U:UPC; A: APC
Type:	SM: Singlemode MM: Multi mode
Attenuating Vaule:	01: 1db 03: 3db 05: 5db 10: 10db 15: 15db 20: 20db



**SC-APC
 LC-UPC
 Attenuators**

Highest quality and performance



Specifications

Parameters	SC	LC	FC	ST
Fastening	1310nm/1550nm	1310nm/1550nm	1310nm/1550nm	1310nm/1550nm
Body	1-10dB(1dB step),	1-10dB(1dB step),	1-10dB(1dB step),	1-10dB(1dB step),
Ferrule	15, 20, 25, 30dB	15, 20, 25, 30dB	15, 20, 25, 30dB	15, 20, 25, 30dB
Ferrule diameter	≥ 50 dB PC	≥ 50 dB PC	≥ 50 dB PC	≥ 50 dB PC
Polish	≥ 55 dB UPC	≥ 55 dB UPC	≥ 55 dB UPC	≥ 55 dB UPC
Ferrule tolerance	≥ 60 dB APC	≥ 60 dB APC	≥ 60 dB APC	≥ 60 dB APC
Insertion loss	≤ 1.0 (11-30dB)	≤ 1.0 (11-30dB)	≤ 1.0 (11-30dB)	≤ 1.0 (11-30dB)
Temperature	-40°C to 85°C	-40°C to 85°C	-40°C to 85°C	-40°C to 85°C