



Features

- Easy installation and maintenance
- Wall and pole mountable
- IP65 enclosure suitable for outdoor use
- Increase bandwidth on existing fiber infrastructure
- Alleviate fiber exhaustion
- Transmit multiple protocols over an existing fiber link (Simplex or Duplex)
- Provide scalable bandwidth of up to 10Gbps per channel
- Plug and Play, no configuration of CWDM components

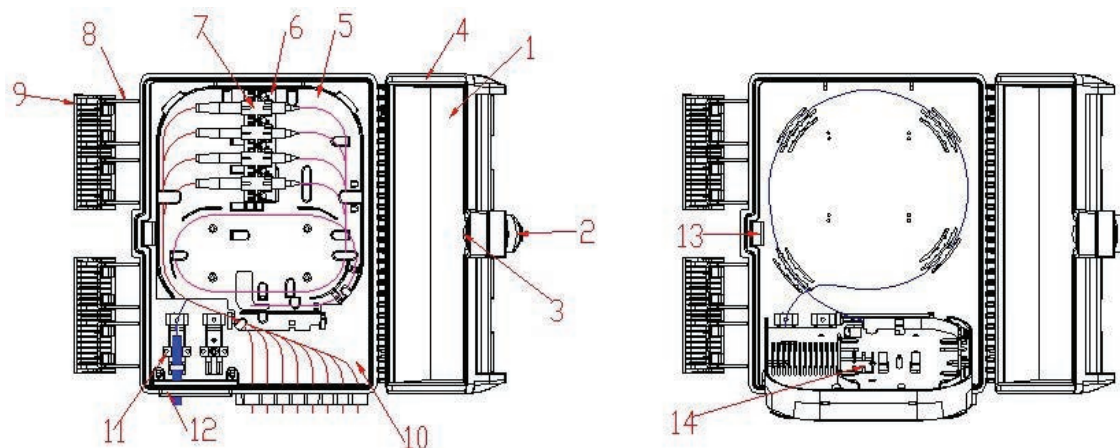
Applications

- Telecommunication Networks
- Cross connect or inter-connect
- Telecom: FTTx, Mobile network and transmission

Starview STARMUX Coarse Wavelength Division Multiplexing (CWDM) Outdoor Distribution Box (ODB) consists of Starview CWDM Mux/ Demux module with metallic LC/UPC connectors enclosed in a PC/ ABS enclosure. STARMUX CWDM uses passive technology that allows any protocol to be transported over the fiber link, as long as it is at a specific CWDM wavelength. The STARMUX provides a simple and affordable method to maximize existing fiber capacity with little or no increased cost.

Specifications

Physical Dimension	250mm x 190mm x 72mm
Installation Dimension	130mm x 82mm
Weight	2kg
Colour	White
Operating Temperature	-40°C to 85°C
Operating Humidity	10% to 95% (non-condensing)



No.	Description
1	Front Cover
2	Lock Cover
3	Lock
4	Seal
5	Fiber Flap
6	Fiber Adaptor
7	Fiber Coupler

No.	Description
8	Front Cover lever
9	Front Cover clip
10	Fiber Outlet
11	Fiber cable holder
12	Fiber Inlet
13	Front cover lock mechanism
14	Fiber distribution guide

Ordering Information

Manufacturer: Starview Outdoor STARMUX

Type: CWDM MUX/DEMUX

Channel Configuration: 4: 4 Ch. 8: 8 Ch. 9: 9 Ch.
16: 16 Ch. 18: 18 Ch.

Client Ports: 427: 4 Ch. 1270 ~ 1330nm
827: 8 Ch. 1270 ~ 1410nm
947: 9 Ch. 1470 ~ 1610nm+1310nm
1627: 16 Ch. 1270 ~ 1610nm
-1430nm-1450nm
1827: 18 Ch. 1270 ~ 1610nm

Line Port: S: Simplex Type D: Duplex Type

Connectors: LC: LC/PC SC: SC/PC

Example:

SVO-STARMUX-427-DLC

Starview Outdoor STARMUX wall and pole mountable IP65 enclosure with 4 x CWDM wavelengths 1270/ 1290/ 1310/ 1330nm and 1 x Duplex LC/UPC COM ports, come with front cover lock mechanism

