

Features

- Increase bandwidth on existing fiber infrastructure
- Alleviate fiber exhaustion
- Transmit multiple protocols over an existing duplex fiber link by combining the fiber outputs of multiple media converters
- "Plug and play," no configuration of CWDM components
- Provide scalable bandwidth per channel corresponding to the CWDM wavelength
- Use existing standard optical ports on switches and routers

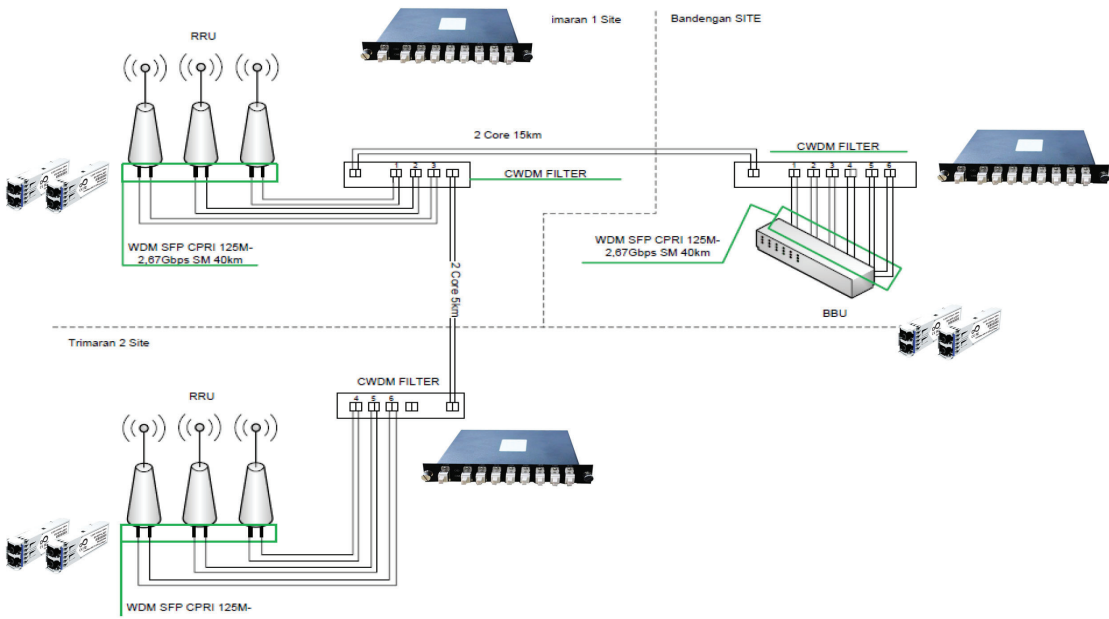
Applications

- Line Monitoring
- WDM Network
- Fiber Optical amplifier

Specifications

Parameters	4 Channel	5 Channel	8 / 9 Channel
Operating Wavelength	1500nm ~ 1620nm		1460nm ~ 1620nm
Center Wavelength	1510nm ~ 1610nm		1470nm ~ 1610nm
Add/Drop Ch. Max Insertion Loss	0.7 dB		0.7 dB
Pass Ch. Max Insertion Loss	1.0 dB		1.0 dB
Insertion Loss Temp. Sensitivity	<0.005 dB/°C		
Wavelength Temp. Shifting	<0.002 nm/°C		
Polarization Dependent Loss	<0.1 dB		
Polarization Mode Dispersion	<0.1 PS		
Directivity	>50 dB		
Return Loss	>45 dB		
Maximum Power Handling	500 mW		
Operating Temperature	-5°C to 75°C		
Storage Temperature	-40°C to 85°C		
Weight	0.45KG		

Applications – CWDM with OADM fiber connection



Ordering Information

Accessory:

- SVR-STARMUX-19R
Starview 19" Rack Mountable STARMUX chassis for up to 2 x STARMUX module
- SVR-BRACKET-23
Starview L-Bracket - 23" RACK MOUNT EAR KIT for STARMUX and STARTAP chassis

Manufacturer: Starview

Type: CWDM MUX/DEMUX

Channel Configuration: 3: 3 Ch. 4: 4 Ch. 6: 6 Ch. 9: 9 Ch.

Client Ports	31: 1310 port	31: Add/Drop 1310 port
	33: 1330 port	33: Add/Drop 1330 port
	35: 1350 port	35: Add/Drop 1350 port
	37: 1370 port	37: Add/Drop 1370 port
	41: 1410 port	41: Add/Drop 1410 port
	43: 1430 port	43: Add/Drop 1430 port
	45: 1450 port	45: Add/Drop 1450 port
	47: 1470 port	47: Add/Drop 1470 port
	49: 1490 port	49: Add/Drop 1490 port
	51: 1510 port	51: Add/Drop 1510 port
	53: 1530 port	53: Add/Drop 1530 port
	55: 1550 port	55: Add/Drop 1550 port
	57: 1570 port	57: Add/Drop 1570 port
	59: 1590 port	59: Add/Drop 1590 port
	61: 1610 port	61: Add/Drop 1610 port

Line Port: S: Simplex Type D: Duplex Type

Connectors: LC: LC/PC SC: SC/PC

Example:

SV-STARMUX-3AD3149-DLC
Starview STARMUX Optical Add and Drop Module (OADM) with 3 Channel CWDM wavelengths 1310/ 1470/ 1490nm and 2 x Duplex LC/UPC COM ports

